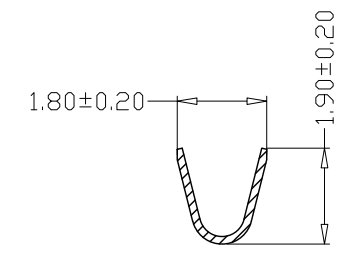
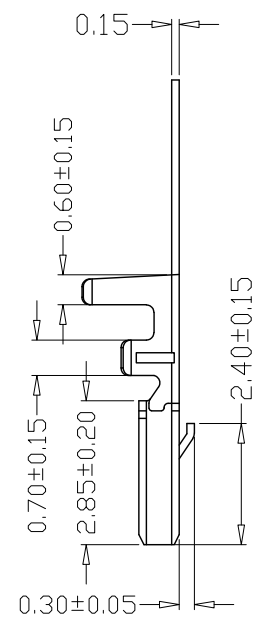
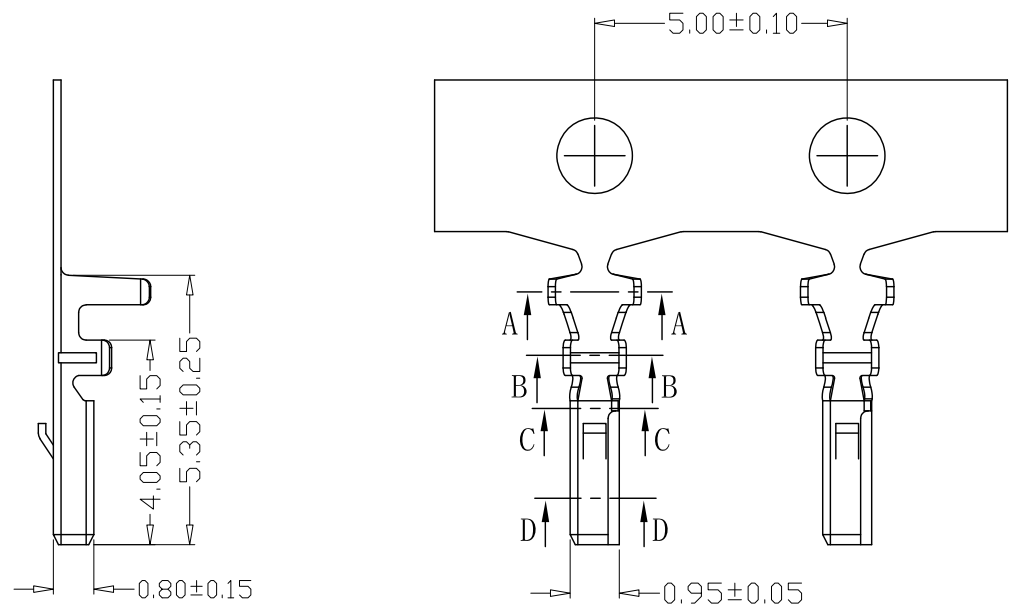
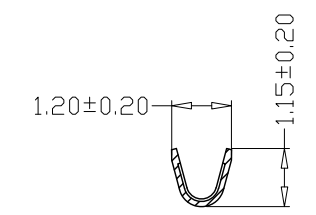


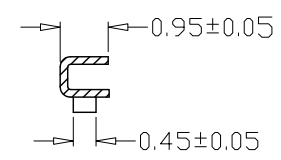
|            |            |         |                     |             |
|------------|------------|---------|---------------------|-------------|
| 版本<br>REV. | 日期<br>DATE | ECN NO. | 变更内容<br>DESCRIPTION | 制图<br>DRAWN |
|            |            |         |                     |             |



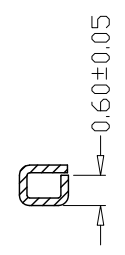
SEC:A-A



SEC:B-B



SEC:D-D



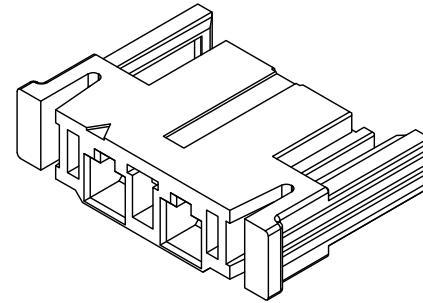
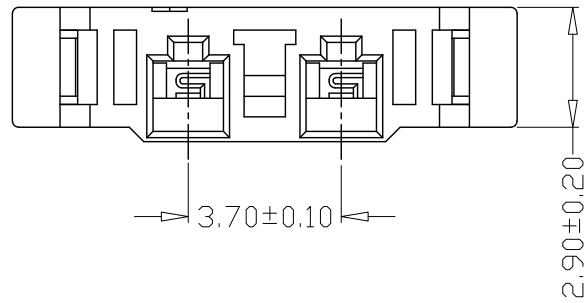
SEC:C-C

SPECIFICATIONS

- 1、Current Rating: 2A AC, DC
- 2、Voltage Rating: 500V AC, DC
- 3、Temperatuer Range: -40°C~+105°C
- 4、Contact Resistance: 40mΩ Max
- 5、Insulation Resistance: 1000MΩ Min
- 6、Withstanding Voltang: 1500V AC/minute
- 7、Material:Phosphoric bronze Tin-plated
- 8、Applicable Wire Sizes:AWG#26~28#

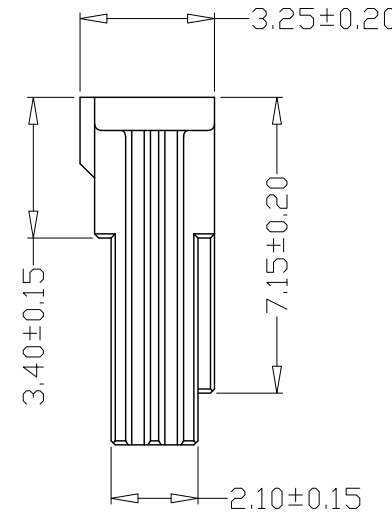
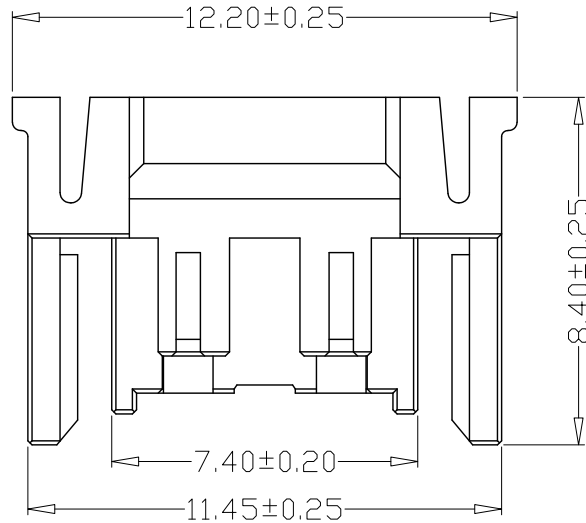
|                  |            |                |                   |             |   |          |  |             |     |
|------------------|------------|----------------|-------------------|-------------|---|----------|--|-------------|-----|
| GENREL TOLERANCE |            | 制图<br>Mapping  | 张迎春<br>2022、09、19 |             | 料号<br>PART NO.  | B37001-T |  | 版本<br>REV.  | A   |
| X.±0.25          | X.°±2°     | 审核<br>Audit    | 钱岳生<br>2022、09、19 |             | 品名<br>TITLE   | 3.7端子    |  | 页次<br>SHEET | 1/1 |
| .X±0.25          | .X°±1°     | 核准<br>Approved | 张名<br>2022、09、20  |             | 客户料号<br>CUTM. NO.   |          |  |             |     |
| .XX±0.15         | .XX°±0.5°  | 单位<br>Units    | mm                | 比例<br>SCALE | <b>乐清市宏一电子有限公司</b><br>YueQing HongYi Electronics Co., Ltd |          |  |             |     |
| .XXX±0.10        | .XXX°±0.5° |                |                   |             |   |          |  |             |     |

|            |            |         |                     |             |
|------------|------------|---------|---------------------|-------------|
| 版本<br>REV. | 日期<br>DATE | ECN NO. | 变更内容<br>DESCRIPTION | 制图<br>DRAWN |
|            |            |         |                     |             |

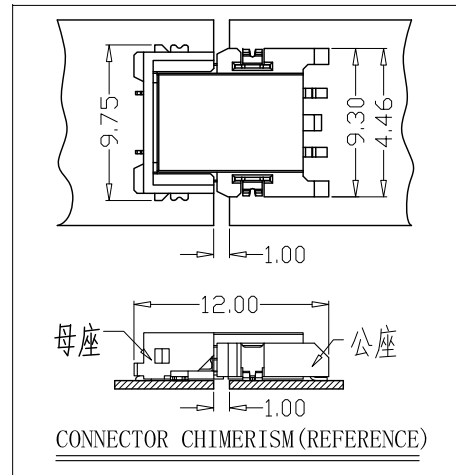
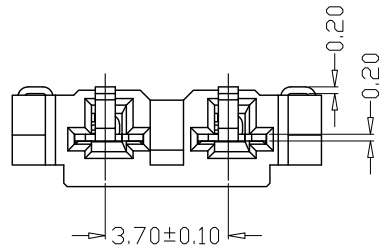


SPECIFICATIONS

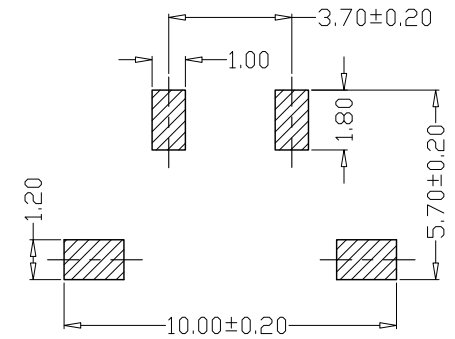
- 1、Current Rating: 2A AC, DC
- 2、Voltage Rating: 500V AC, DC
- 3、Temperatuer Range:  $-40^{\circ}\text{C} \sim +105^{\circ}\text{C}$
- 4、Contact Resistance:  $40\text{m}\Omega$  Max
- 5、Insulation Resistance:  $1000\text{M}\Omega$  Min
- 6、Withstanding Voltang: 1500V AC/minute
- 7、Material: PA66, UL94V-0



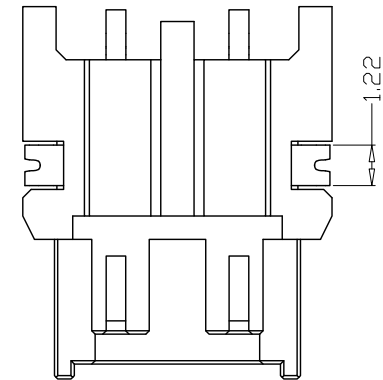
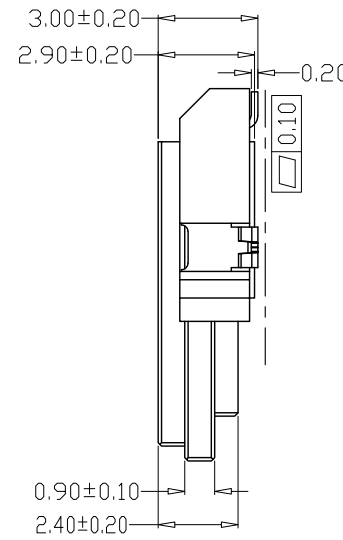
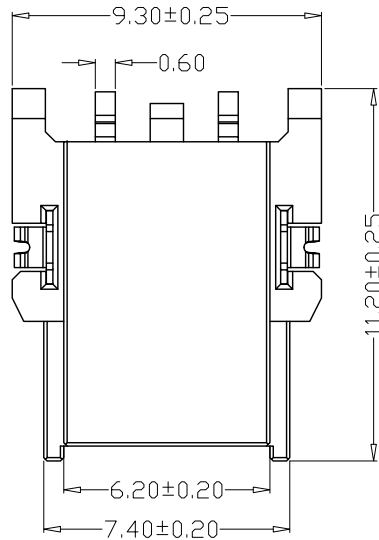
|                  |                                      |                |                   |   |            |             |     |
|------------------|--------------------------------------|----------------|-------------------|---|------------|-------------|-----|
| GENREL TOLERANCE |                                      | 制图<br>Mapping  | 张迎春<br>2022、09、19 | 料号<br>PART NO.  | B37001-02Y | 版本<br>REV.  | A   |
| X $\pm$ 0.25     | X $^{\circ}$ $\pm$ 2 $^{\circ}$      | 审核<br>Audit    | 钱岳生<br>2022、09、19 | 品名<br>TITLE   | 3.7孔座      | 页次<br>SHEET | 1/1 |
| .X $\pm$ 0.25    | .X $^{\circ}$ $\pm$ 1 $^{\circ}$     | 核准<br>Approved | 张名<br>2022、09、20  | 客户料号<br>CUTM. NO.   |            |             |     |
| .XX $\pm$ 0.15   | .XX $^{\circ}$ $\pm$ 0.5 $^{\circ}$  | 单位<br>Units    | mm                | 比例<br>SCALE   |            |             |     |
| .XXX $\pm$ 0.10  | .XXX $^{\circ}$ $\pm$ 0.5 $^{\circ}$ |                |                   | <b>乐清市宏一电子有限公司</b><br>YueQing HongYi Electronics Co., Ltd |            |             |     |



|            |            |         |                     |             |
|------------|------------|---------|---------------------|-------------|
| 版本<br>REV. | 日期<br>DATE | ECN NO. | 变更内容<br>DESCRIPTION | 制图<br>DRAWN |
|            |            |         |                     |             |

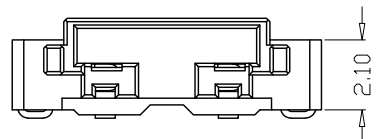
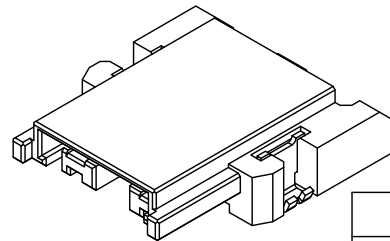


PCB LAYOUT

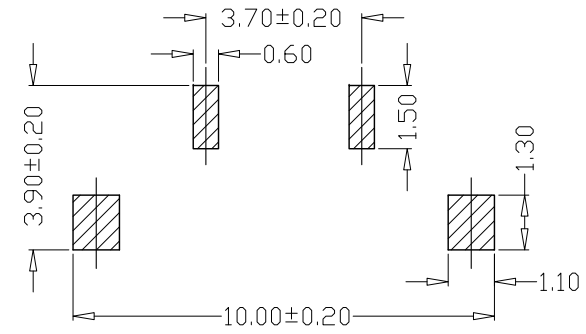
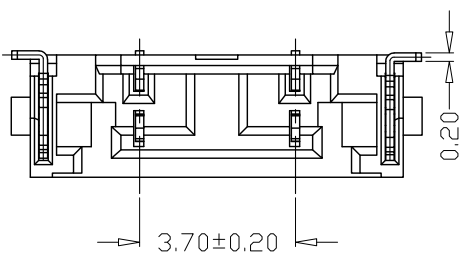


SPECIFICATIONS

- Current Rating: 2A AC, DC
- Voltage Rating: 500V AC, DC
- Temperatuer Range: -40°C ~ +105°C
- Contact Resistance: 40mΩ Max
- Insulation Resistance: 1000MΩ Min
- Withstanding Voltang: 1500V AC/minute
- Material: Wafer LCP, UL94V-0  
PIN Phosphoric bronze Tin-plated  
Solder tad Phosphoric bronze Tin-plated

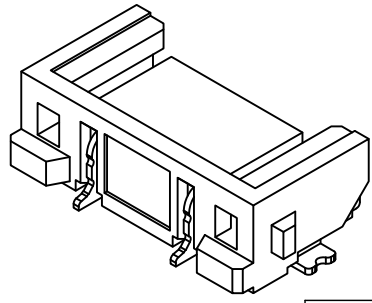
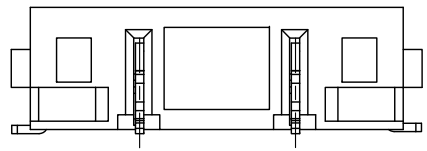
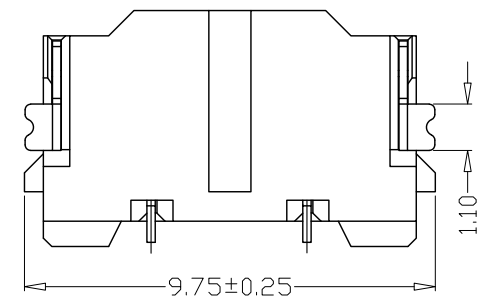
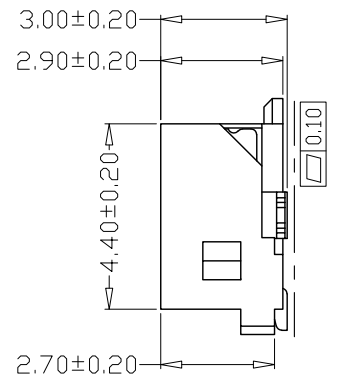
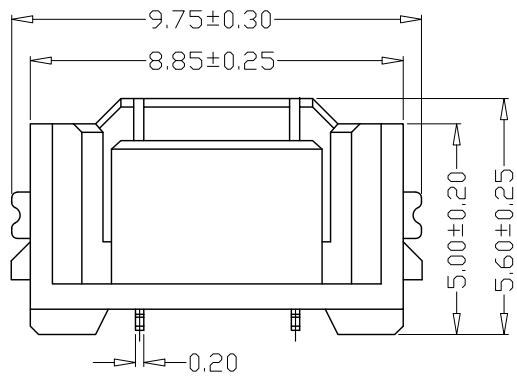
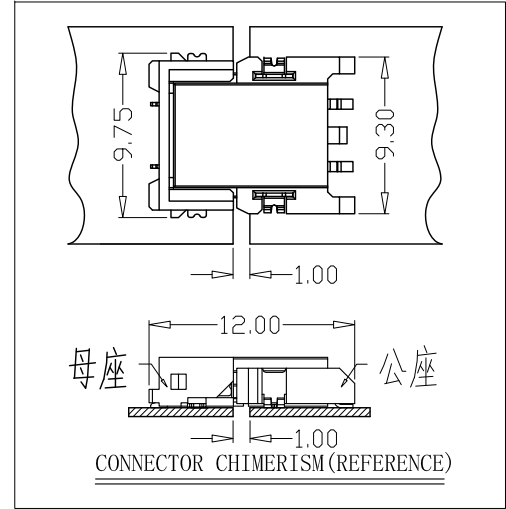


|                   |            |                |                   |   |                              |             |     |
|-------------------|------------|----------------|-------------------|---|------------------------------|-------------|-----|
| GENERAL TOLERANCE |            | 制图<br>Mapping  | 张迎春<br>2022、09、19 | 料号<br>PART NO.  | B37001-02AWB                 | 版本<br>REV.  | A   |
| X±0.25            | X°±2°      | 审核<br>Audit    | 钱岳生<br>2022、09、19 | 品名<br>TITLE   | 3.7板对板(公座)<br>WAFER SMT TYPE | 页次<br>SHEET | 1/1 |
| .X±0.25           | .X°±1°     | 核准<br>Approved | 张名<br>2022、09、20  | 客户料号<br>CUTM. NO.   |                              |             |     |
| .XX±0.15          | .XX°±0.5°  | 单位<br>Units    | mm                | 比例<br>SCALE   |                              |             |     |
| .XXX±0.10         | .XXX°±0.5° |                |                   | <b>乐清市宏一电子有限公司</b><br>Yueqing HongYi Electronics Co., Ltd |                              |             |     |



PCB LAYOUT

|            |            |         |                     |             |
|------------|------------|---------|---------------------|-------------|
| 版本<br>REV. | 日期<br>DATE | ECN NO. | 变更内容<br>DESCRIPTION | 制图<br>DRAWN |
|            |            |         |                     |             |



SPECIFICATIONS

- 1、Current Rating: 2A AC, DC
- 2、Voltage Rating: 500V AC, DC
- 3、Temperatuer Range: -40°C~+105°C
- 4、Contact Resistance: 40mΩ Max
- 5、Insulation Resistance: 1000MΩ Min
- 6、Withstanding Voltang: 1500V AC/minute
- 7、Material: Wafer LCP, UL94V-0  
PIN Phosphoric bronze Tin-plated  
Solder tad Phosphoric bronze Tin-plated

|                   |            |  |                   |             |                   |                              |  |             |     |  |
|-------------------|------------|--|-------------------|-------------|-------------------|------------------------------|--|-------------|-----|--|
| GENERAL TOLERANCE |            | 制图<br>Mapping                                      | 张迎春<br>2022、09、19 |             | 料号<br>PART NO.    | B37001-02AWB1                |  | 版本<br>REV.  | A   |  |
| X±0.25            | X°±2°      | 审核<br>Audit  | 钱岳生<br>2022、09、19 |             | 品名<br>TITLE       | 3.7板对板(母座)<br>WAFER SMT TYPE |  | 页次<br>SHEET | 1/1 |  |
| .X±0.25           | .X°±1°     | 核准<br>Approved                                     | 张名<br>2022、09、20  |             | 客户料号<br>CUTM. NO. |                              |  |             |     |  |
| .XX±0.15          | .XX°±0.5°  | 单位<br>Units  | mm                | 比例<br>SCALE |                   |                              |  |             |     |  |
| .XXX±0.10         | .XXX°±0.5° | 乐清市宏一电子有限公司<br>Yueqing HongYi Electronics Co., Ltd |                   |             |                   |                              |  |             |     |  |